



FEED AND BIOFUEL

ROTARY FEED DRESSER

PRODUCES UNIFORM FINISHED FEED



Use of the ANDRITZ Rotary Feed Dresser will help ensure that you have proper cleaning and dressing of dry-mash feeds and soft feed ingredients.

This compact unit efficiently removes tramp metals and other foreign materials and assures lump-free feed. It is equally effective when used after

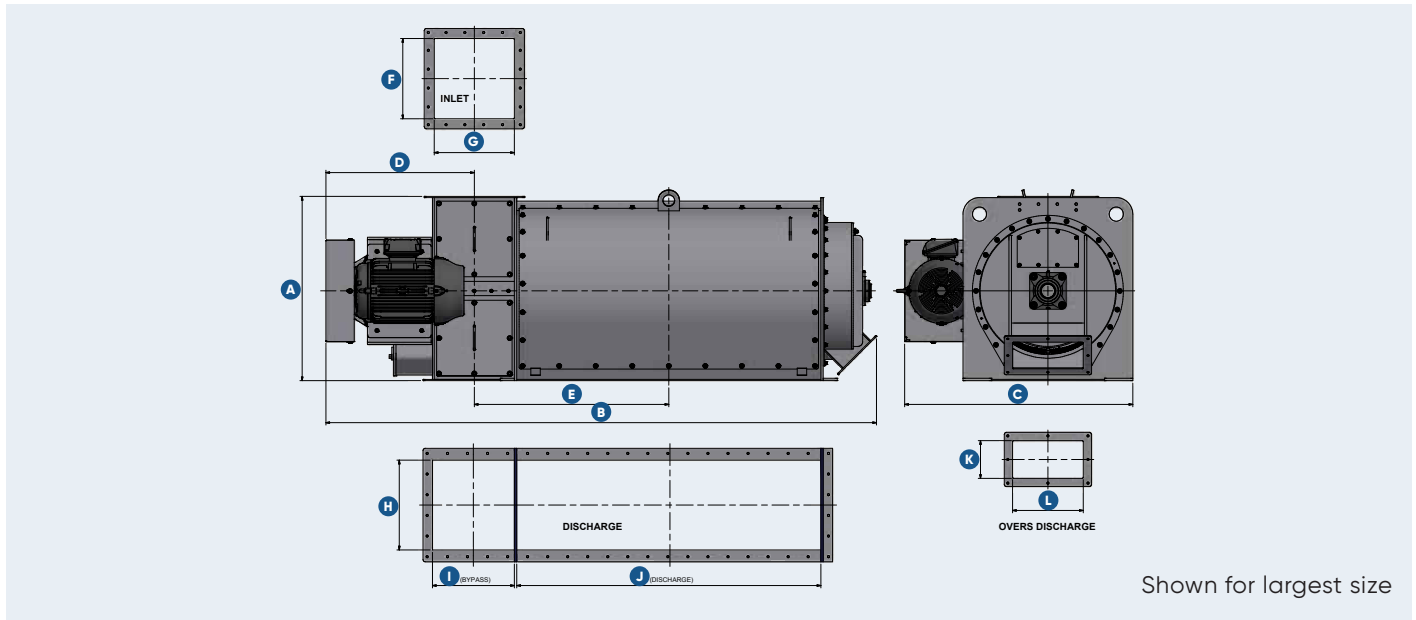
grinding and mixing; or ahead of the pellet mill.

High capacity, low operational cost, minimal service and power requirements, dust-free performance and versatility are synonymous with this cleaner due to its simplified design and operating features. The Rotary

Feed Dresser is available in nine models. The largest model has a capacity of up to 380 tons-per-hour while the smallest model's capacity is 40 tons-per-hour. All capacity projections are based on a 1/2" perforated opening and 30 lb/ft³ material.

ANDRITZ

ENGINEERED SUCCESS



TECHNICAL DATA

MODEL	CAPACITY			MOTOR		WEIGHT		DIMENSIONS IN INCHES											
	ft ³ /hr	m ³ /hr	TPH* (US)	hp	kw	lbs	kg	A	B	C	D	E	F	G	H	I	J	K	L
14x24	2.000	57	40	7,5	5,6	950	430	31	57 5/8	47 7/8	16 7/8	20 9/16	10	15 1/4	16 1/4	-	25 3/8	5	10
18x36	4.000	113	80	15	11	1350	612	35	87 7/8	41	29 11/16	28 1/4	15	15	17	17 3/8	40 1/2	6	10
18x60	6.000	170	120	20	15	2115	959	35	111 7/8	41	29 11/16	40 1/4	15	15	17	17 3/8	64 1/2	6	10
24x60	8.000	226	160	25	18	2720	1234	39	115 3/4	48 3/8	31 1/2	41 1/4	17	17	19	19 3/8	64 1/2	8	15
24x74	10.000	283	200	30	22	3000	1360	39	129 3/4	48 3/8	31 1/2	48 1/4	17	17	19	19 3/8	78 1/2	8	15
30x74	12.500	353	250	30	22	3540	1606	47	134 1/4	51 3/8	31 1/2	49 1/4	19	19	21	21 3/8	78 1/2	8	15
36x74	15.000	424	300	40	30	4110	1864	53	141 3/8	56	16 7/8	52 1/4	25	25	27	27 3/8	78 1/2	10	20
36x84	17.000	481	340	40	30	4500	2041	53	151 3/8	56	16 7/8	57 1/4	25	25	27	27 3/8	88 1/2	10	20
36x96	19.000	537	380	50	37	5500	2495	53	163 3/8	56	16 7/8	63 1/4	25	25	27	27 3/8	100 1/2	10	20

ANDRITZ Feed and Biofuel A/S
 andritz-fb.dk@andritz.com
 p: +45 72 160 300 / andritz.com/ft

ANDRITZ Feed and Biofuel USA
 andritz-fb.us@andritz.com
 p: +1 570 546 1253



All data, information, statements, photographs and graphic illustrations in this leaflet are without any obligation and raise no liabilities to or form part of any sales contracts of ANDRITZ AG or any affiliates for equipment and/or systems referred to herein. © ANDRITZ AG 2018. All rights reserved. No part of this copyrighted work may be reproduced, modified or distributed in any form or by any means, or stored in any database or retrieval system, without the prior written permission of ANDRITZ AG or its affiliates. Any such unauthorized use for any purpose is a violation of the relevant copyright laws. ANDRITZ AG, Statterger Strasse 18, 8045 Graz, Austria.

